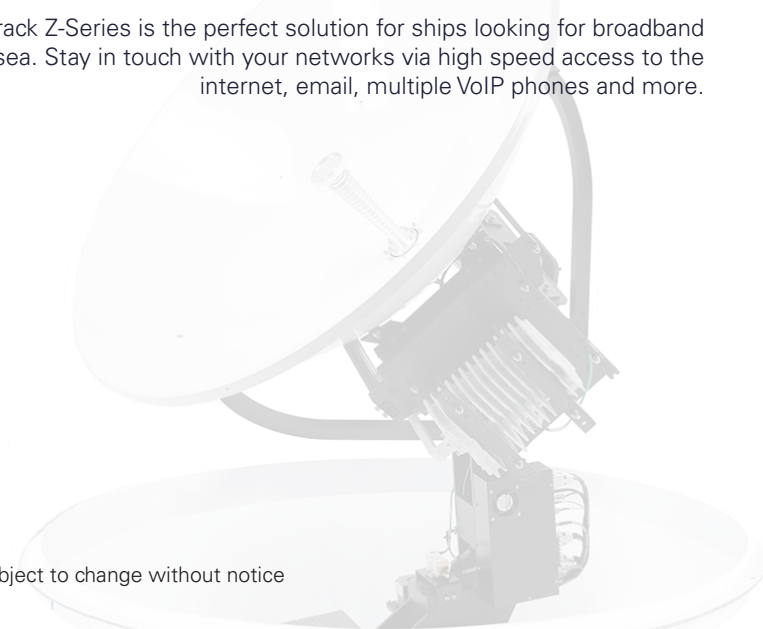


# Z10MK2

## KU-BAND Maritime VSAT Antenna

The SuperTrack Z-Series is the perfect solution for ships looking for broadband speeds at sea. Stay in touch with your networks via high speed access to the internet, email, multiple VoIP phones and more.



\*Design is subject to change without notice



Lower Loss  
Hiher Durable  
Radome

**3+1**

3 -Year Parts Warranty  
1 -Year Labor Warranty



Dual Antenna System  
Support



High Tracking Speed  
More than 90° / sec

## MOST SELECTED VSAT

The most customers in worldwide in maritime industry have chosen Z10mk2 as standard type VSAT System for their vessels. The Z10mk2 convinces the optimal satellite communication performance to your vessels.

### ASI FREE

The biggest problem of compact VSAT will be ASI (Adjacent Satellite Interference) Problem. However, through the KNS's distinct transimttng control algorithm, the problem and risk of ASI is minimized.

### OPEN AMIP

The most mandatory feature for HTS application is Open AMIP Protocol to switch the beam to other satellite when your vessel is going among different satellite footprint.

### COST AFFORDABLE

With all the innovations, SUPERTRACK Z\_Series MK2 has its various line-up and you can fulfil your needs with affordable costs.

## PRODUCT KEY FEATURES

- **Automatic Satellite Search & Skew Control**
- **Accurate Signal Acquisition by KNS's Distinctive Algorithm**
- **Pre-programmed Satellite Database**  
Editable 80 satellite data
- **Antenna Control Unit**  
3 Types of Gyro Input (NMEA, Synchro, Step by Step)
- **Unlimited Azimuth**  
Uninterrupted searching keep you in business however you ship turns Cable Wrap Free.
- **Brake System**
- **CE & RTTE Certified**
- **INTELSAT Qualified**

# Z10MK2

KU-BAND Maritime VSAT Antenna

**Z** \_SERIES  
**SUPERTRACK**

## SPECIFICATION

### ABOVE DECK

Dish Diameter	100cm (40")
Antenna Dimension	144cm(D) x 152cm(H)
Antenna Weight	114 Kg
Frequency	TX : 13.75 ~ 14.5 GHz RX : 10.75 ~ 12.75 GHz
Antenna Gain	TX : 41.0 dBi @ 14.25 GHz RX : 40.0 dBi @ 11.75 GHz
G / T	18.89 dB/K (In Radome) @ 30deg. Elevation angle and 11.75GHz, Clear Sky
Operating Platform LNB	4 - Axis (Azimuth, Yaw, Elevation, Skew) Single PLL LNB Universal LNB (optional)
BUC	4W / 6W / 8W / 16W / 25W / 40W (optional)
Skew Control	Automatic
Elevation Angle	-20° to +110°
Azimuth Range	Unlimited
Cross Angle	± 35°
Ship Motion	Roll : ±24° at 6-12 sec periods Pitch : ±14° at 6-12 sec periods Yaw : ±8° at 5-50 sec periods
Tracking Speed	More than 90°/sec
Vibration Damper	Rubber Damper Included
Antenna Input Power	TX: 48V DC 3.2A RX: 48V DC 4.18A
Temperature	-20°C to +55°C
Humidity	Up to 100% @ 40°C

### BELOW DECK

ACU Size	19" Rack 1U size
Gyro Interface	NMEA 0183, Synchro, Step by Step
Input Power	100 ~ 120V AC / 200 ~ 240V AC, 50/60Hz, 8A/4A
Output Power	TX : 48V DC, 3.2A
External I/O	RS-232C, Mini-USB, Ethernet, Console

### PACKING DIMENSION

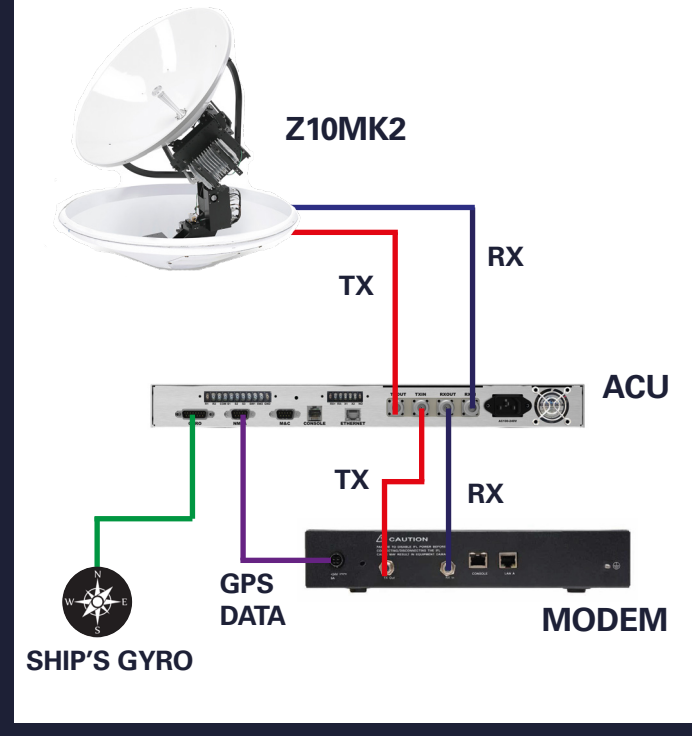
Size	158 X 158 X 177 cm
Gross Weight	224 kg
Packed by	Wooden Crate

### WARRANTY INFORMATION

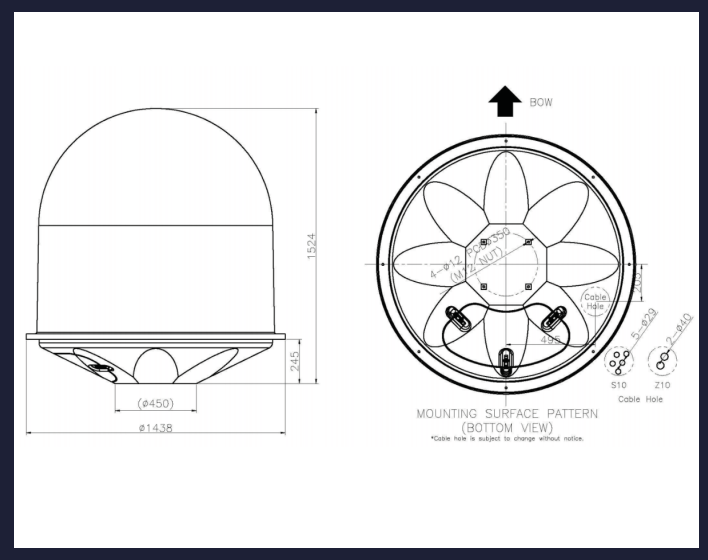
3-year parts, 1-year onboard labour warranty

\*Specification is subject to change without notice

## SYSTEM DIAGRAM



## RADOME DIMENSION



**KNS Headquarters**  
1476-55, Yuseong-daero, Yuseong-gu,  
Daejeon South Korea (34055)  
Tel : +82 42 932 0351  
Fax : +82 42 932 0353  
E-mail : sales@kns-kr.com

**KNS Malaysia Sales Office**  
20 Jalan Setia Tropika 9/15,  
Taman Setia Tropika, Johor, Malaysia  
Tel : +60 1673 18407  
E-mail : james@kns-kr.com

**KNS Europe Sales Office**  
Carl-Zeiss Straße 4, 71093 Weil im  
Schönbuch, Germany  
Tel : +49 1727 640 257  
E-mail : fpollak@kns-kr.com