



# Z8MK2

## KU-BAND Maritime VSAT Antenna

The SuperTrack Z-Series is the perfect solution for ships looking for broadband speeds at sea. Stay in touch with your networks via high speed access to the internet, email, multiple VoIP phones and more.



\*Design is subject to change without notice

CE  **R&TTE RoHS**  
eutelsat  **EN 302 340**



Lower Loss  
Hiher Durable  
Radome

**3+1**

3 -Year Parts Warranty  
1 -Year Labor Warranty



Dual Antenna System  
Support



High Tracking Speed  
More than 90° / sec

## MOST SELECTED VSAT SERIES

The most customers in worldwide maritime industry have chosen SUPERTRACK Z Series MK2 as standard type VSAT System for their vessels. The Z Series MK2 convinces the optimal satellite communication performance to your vessels.

## RELIABILITY, THE BASIC VIRTUE

On the middle of sea, under variable circumstances, the most important merit of communication equipment is reliable connection and stable tracking and network performance. Live chatting with friends, video call with family, listening radio over IP and even... emergency phone calls... all kinds of communication to homeland require network sustainability with reliable equipment. The SUPERTRACK Z Series, reliable partner all the time.

## COST AFFORDABLE

With all the innovations, SUPERTRACK Z\_Series MK2 has its various line-up and you can fulfil your needs with affordable costs.

## PRODUCT KEY FEATURES

- **Automatic Satellite Search & Skew Control**
- **Accurate Signal Acquisition by KNS's Distinctive Algorithm**
- **Pre-programmed Satellite Database**  
Editable 80 satellite data
- **Antenna Control Unit**  
3 Types of Gyro Input (NMEA, Synchro, Step by Step)
- **Unlimited Azimuth**  
Uninterrupted searching keep you in business however you ship turns Cable Wrap Free.
- **Brake System**
- **CE & RTTE Certified**

# Z8MK2

KU-BAND Maritime VSAT Antenna

**Z**\_SERIES  
SUPERTRACK

## SPECIFICATION

### ABOVE DECK

<b>Dish Diameter</b>	83cm (33")
<b>Antenna Dimension</b>	113cm(D) x 117cm(H)
<b>Antenna Weight</b>	87 Kg
<b>Frequency</b>	TX : 13.75 ~ 14.5 GHz RX : 10.7 ~ 12.75 GHz
<b>Antenna Gain</b>	TX : 39.9 dBi @ 14.25 GHz RX : 38 dBi @ 11.75 GHz
<b>G / T</b>	16.89 dB/K (In Radome) @ 30deg, Elevation angle and 11.75GHz, Clear Sky
<b>Operating Platform</b>	4 - Axis (Azimuth, Yaw, Elevation, Skew)
<b>LNB</b>	Universal LNB Single LNB (optional)
<b>BUC</b>	4W / 6W / 8W / 16W (optional)
<b>Skew Control</b>	Automatic
<b>Elevation Angle</b>	-20° to +110°
<b>Azimuth Range</b>	Unlimited
<b>Cross Angle</b>	± 35°
<b>Ship Motion</b>	Roll : ±24° at 8-12 sec periods Pitch : ±14° at 6-12 sec periods Yaw : ±8° at 15-20 sec periods
<b>Tracking Speed</b>	More than 90°/sec
<b>Vibration Damper</b>	Rubber Damper Included
<b>Antenna Input Power</b>	TX: 48V DC 3.2A RX: 48V DC 4.18A
<b>Temperature</b>	-20°C to +55°C
<b>Humidity</b>	Up to 100% @ 40°C

### BELOW DECK

<b>ACU Size</b>	19" Rack 1U size
<b>Gyro Interface</b>	NMEA 0183, Synchro, Step by Step
<b>Input Power</b>	100 ~ 120V AC / 200 ~ 240V AC, 50/60Hz, 8A/4A
<b>Output Power</b>	TX : 48V DC, 3.2A RX: 48V DC, 4.18A
<b>External I/O</b>	RS-232C, Mini-USB, Ethernet, Console

### PACKING DIMENSION

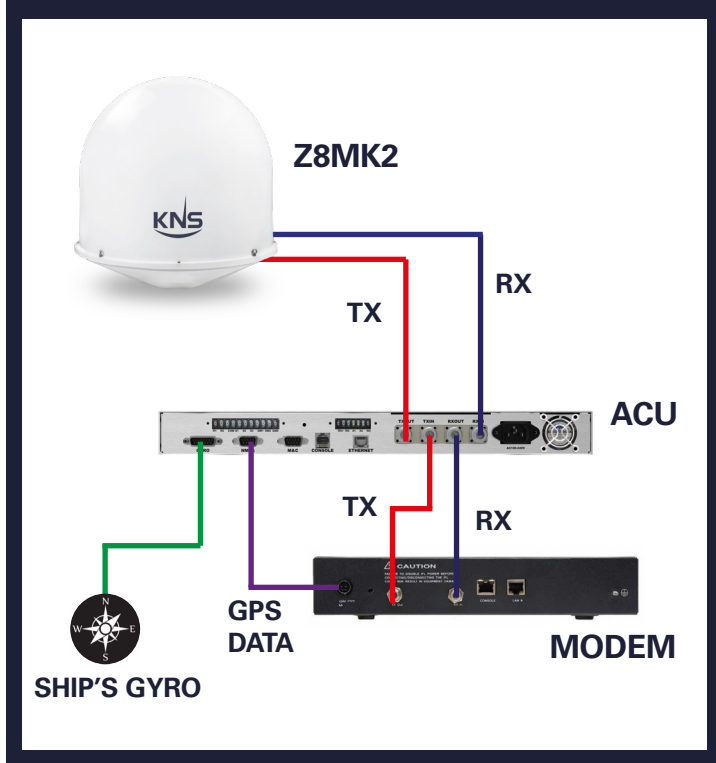
<b>Size</b>	128 X 128 X 150 cm
<b>Gross Weight</b>	180 kg
<b>Packed by</b>	Wooden Crate

### WARRANTY INFORMATION

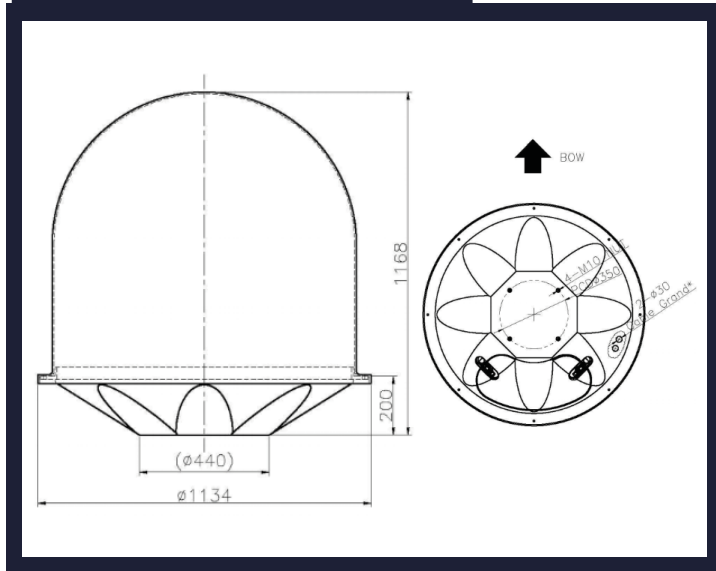
3-year parts, 1-year onboard labour warranty

\*Specification is subject to change without notice

## SYSTEM DIAGRAM



## RADOME DIMENSION



**KNS Headquarters**  
1476-55, Yuseong-daero, Yuseong-gu,  
Daejeon South Korea (34055)  
Tel : +82 42 932 0351  
Fax : +82 42 932 0353  
E-mail : sales@kns-kr.com

**KNS Malaysia Sales Office**  
20 Jalan Setia Tropika 9/15,  
Taman Setia Tropika, Johor, Malaysia  
Tel : +60 1673 18407  
E-mail : james@kns-kr.com

**KNS Europe Sales Office**  
Carl-Zeiss Straße 4, 71093 Weil im  
Schönbuch, Germany  
Tel : +49 1727 640 257  
E-mail : fpollak@kns-kr.com

**Korea ORBCOMM**  
Noveltech 9th, 115, Bongeunsa-ro  
, Gangnam-gu, Seoul, Korea  
Tel : +82 2 3444 7311  
E-mail : sales@orbcomm.co.kr  
Web : www.orbcomm.co.kr